



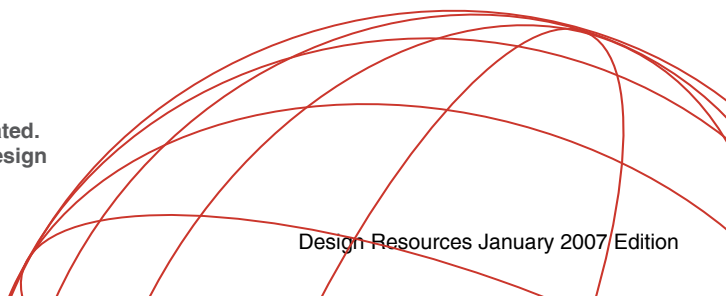
**REDI-ROCK**

## Quarried Paver Series

**Check with your local authorized  
Redi-Rock Dealer for Product  
Availability**

**Redi-Rock International  
05481 US 31 South  
Charlevoix, MI 49720  
866-222-8400  
info@redi-rock.com  
www.redi-rock.com**

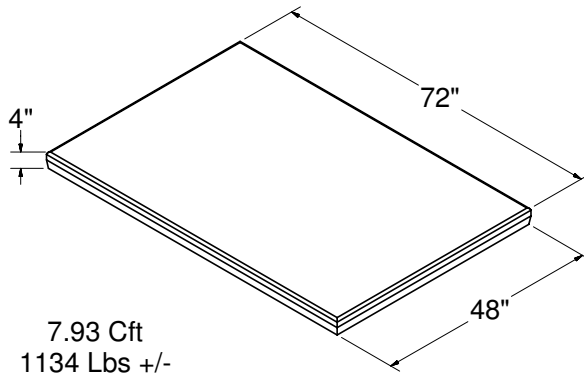
Every Redi-Rock distributor/manufacture is independantly owned and operated. Patents pending on various design criteria. We reserve the right to modify design or specifications without incurring obligation.



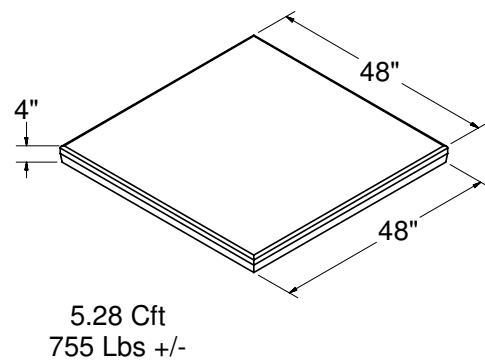
## Quarried Paver Series

Pavers come standard with smooth sides. Any side can be replaced with textured surface. Most commonly used pavers are shown below.

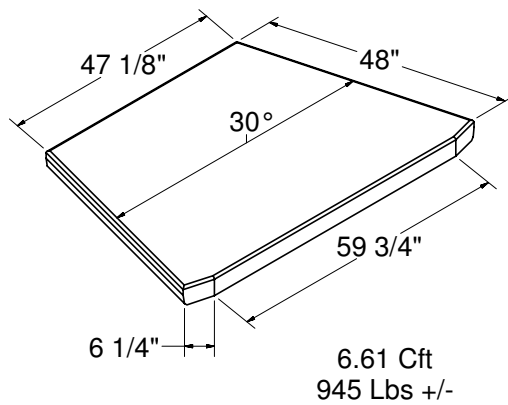
**6' Pavers**



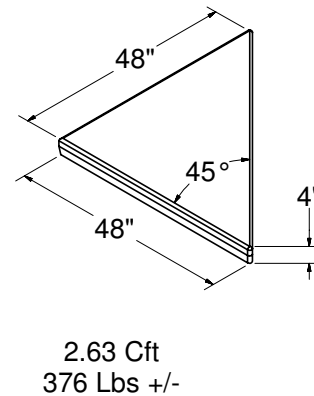
**4' Pavers**



**Curved Sidewalk Paver**



**Triangle Paver**



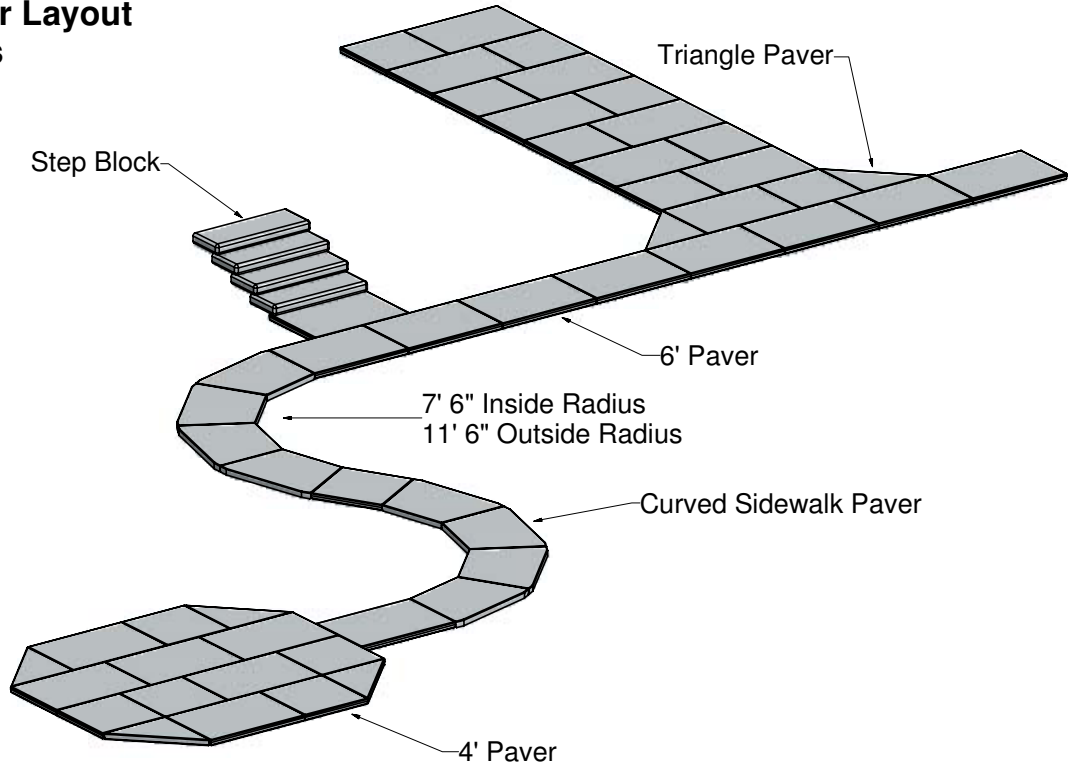
**Embedments or openings may be placed at any location.**

Volume based on paver as shown. Actual weights and volumes may vary. Weight based on 143#/Cft concrete.

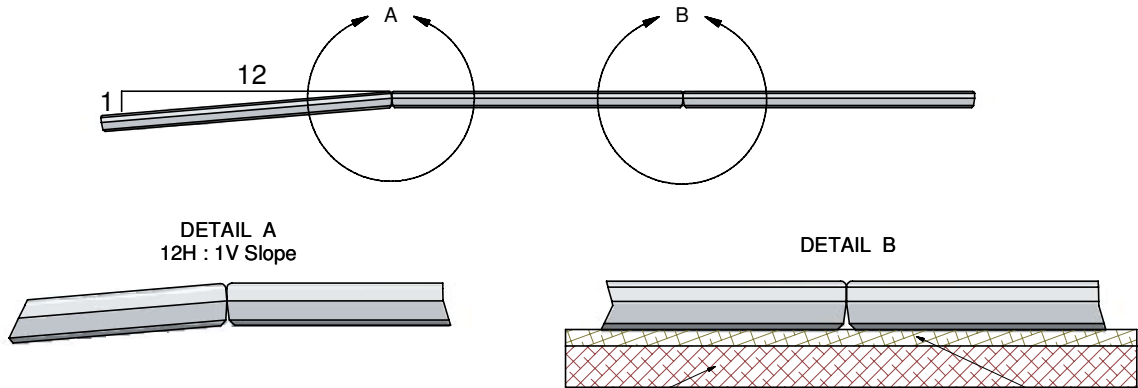
DRAWN RRI	2/4/2005	Redi-Rock International	
CHECKED		DWG NO Block Specs 9 - Pavers.idw	REV
APPROVED		SCALE	SHEET 1 OF 1

## Four Block Shapes - Multiple Designs

### 4" Paver Layout Options



### Paver Installation



4" footing bearing material shall be gravel compacted to 95% of standard proctor (or as specified by engineer).

DRAWN			
RRI	3/28/2005	Redi-Rock International	
CHECKED		DWG NO	REV
APPROVED		Paver Layout & Slope.idw	
		SCALE	SHEET 1 OF 1





Pavers may be placed using slings. After placing paver & removing slings, one may nudge pavers into their final position with an excavator.